

(68.52) X
June 2000 Supercedes February 2000



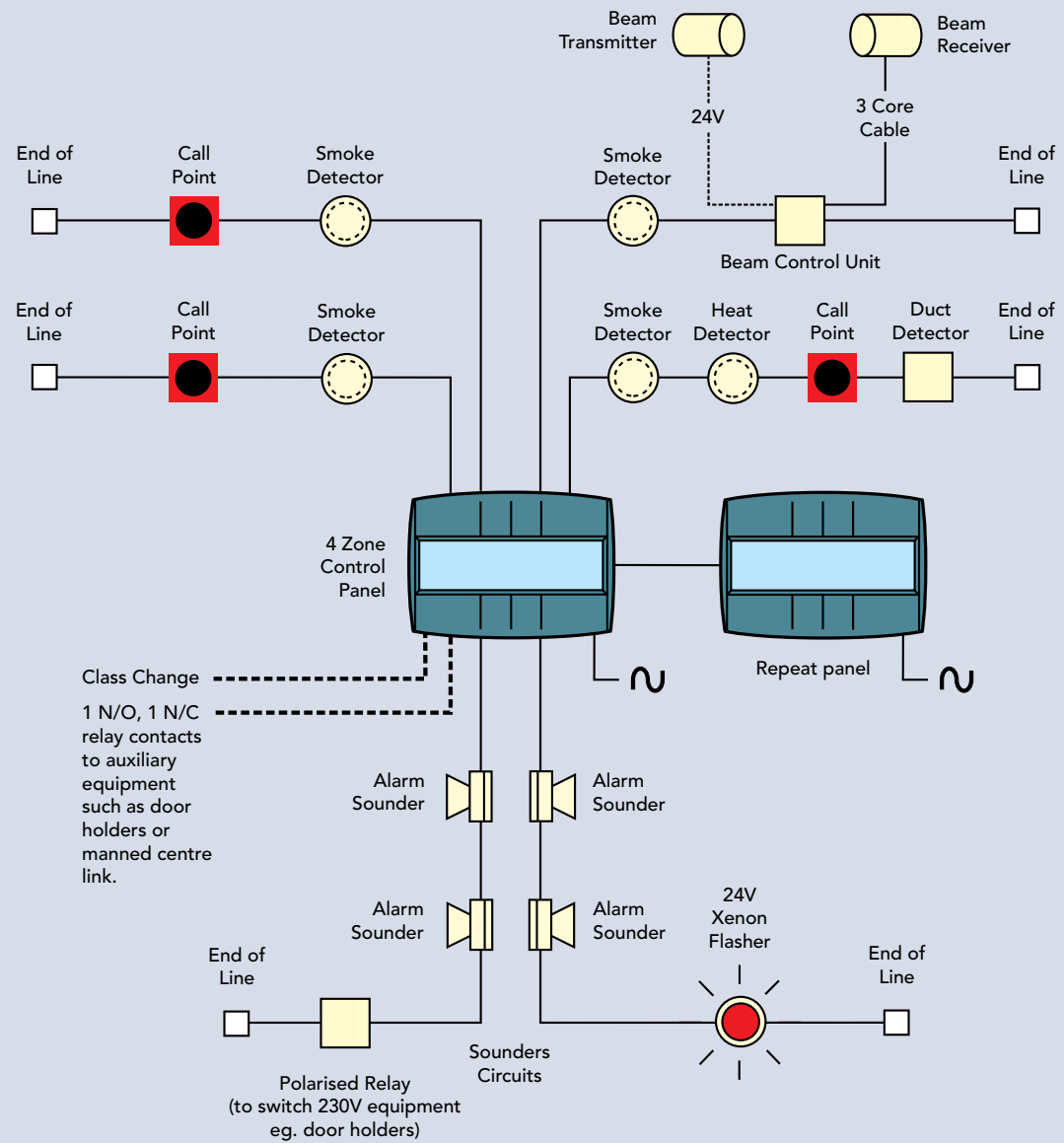
xenex

CONVENTIONAL FIRE DETECTION &
ALARM SYSTEM

we look @ business differently

XENEX SYSTEM ARCHITECTURE

Note: This schematic is for guidance only please refer to product instructions during installation.



All cables are 2 core unless otherwise stated.

Xenex panels can be ordered in any RAL colour to match a particular colour scheme. Contact Gent 24 for details.



CONTROL PANEL

Xenex Control Panel

The Xenex panel complies fully with the European standard EN 54 Parts 2 & 4 and can be used on installations meeting BS 5839: Part 1.

Each panel contains its own integral power supply and battery support up to eight alarm sounder circuits, two auxiliary relay contacts, a zone disablement facility and a one man test and commission facility, all simplifying system design, installation and commissioning.

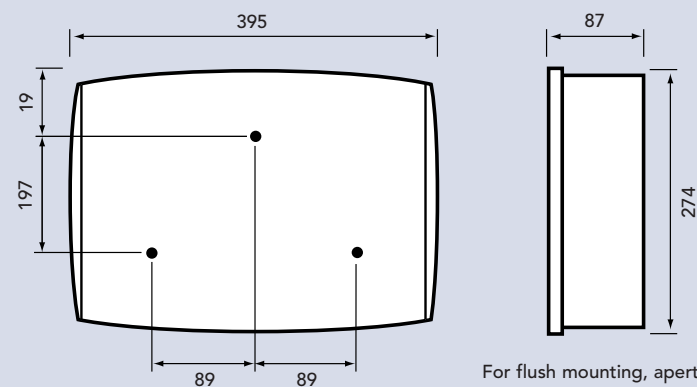


Xenex Control Panel

Technical Specification ** Note - Maximum of 1, 8 Zone Repeat Panel per system.*

No. of Zones	1	2	4	8	*8 Zone Repeat
Maximum Load per Zone	3mA	3mA	3mA	3mA	N/A
No. of Sounder Circuits	2	2	4	8	N/A
Max. Sounder Circuit Load	500 mA per circuit, max 1A combined		500mA per circuit, max 1.5A combined		N/A
Batteries (not included)	2 x 12V, 2.1 Ah		2 x 12V, 2.1 Ah	2 x 12V, 2.8 Ah	2 x 12V, 2.1 Ah
Battery Standby	72 hours (1mA per zone, 1A total sounder load) 48 hours (3mA per zone, 1A total sounder load)				72 hours
Aux. Relay Contacts	1 N/O and 1 N/C pair, 1A at 24V				N/A
Packaged Weight	5.1 Kg	5.1 Kg	6.6 Kg	6.6 Kg	5.1 Kg
Relevant Standard	EN 54 Parts 2 & 4				
Approvals	LPCB Approval applied for				
Cable Entry	13 Top and 13 Rear				
Cable Type	BS 6387, 2 core, min 1.5mm ² CSA				
Class Change Facility	Via normally open clean contacts controlled by push button or timer located no more than 100m from panel				N/A
Environment	Indoor, 0 - 40°C				

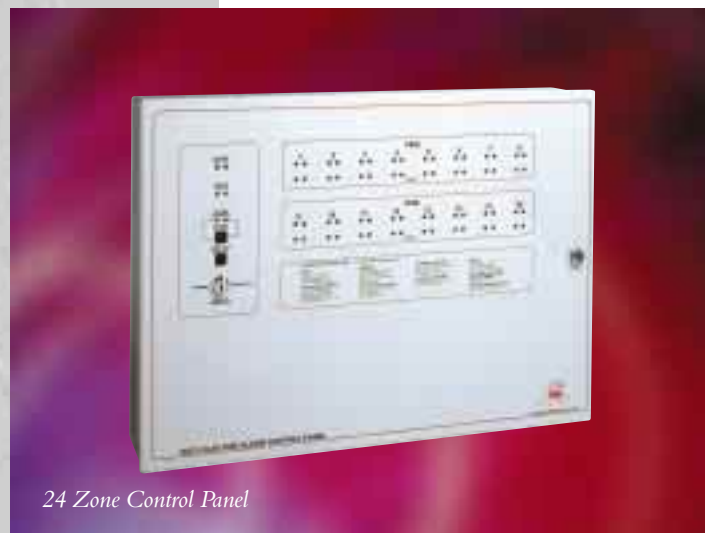
Dimensions of all panels (inc Repeat panel) (mm)



ORDER CODES (excludes batteries)

1 Zone	13270-01-LB
2 Zone	13270-02-LB
4 Zone	13270-04-LB
8 Zone	13270-08-LB
2.1Ah 12V SLA Battery	4015-502
2.8Ah 12V SLA Battery	4015-509
Flush surround	75585-29YPNM
8 Zone Repeat Panel	13271-01

12 - 24 ZONE CONTROL PANELS



12 - 24 Zones

For larger applications a 12, 16 or 24 zone conventional panel is available together with complementary repeat panels. The panel complies with BS5839 and includes facilities such as one man zone test, bomb alert and zoned or two stage alarm outputs as required.

For larger panel sizes or flush mounting versions please contact Gent 24.

Technical Specification

No. of Zones	12	16	24
Maximum Load per Zone	1.6mA	1.6mA	0.8mA
No. of Sounder Circuits	2 (extra sounder circuits may be added using 4 way sounder cards)		
Max. Sounder Circuit Load	1A per circuit		
Batteries (not included)	2 x 7Ah,12V	2 x 7Ah,12V	2 x 12Ah,12V
Battery Standby	24 hours - For 48 hours or 72 hour requirements consult Gent 24		
Aux. Relay Contacts	Common fire contacts - Operates on fire condition		
All contacts rated at 30 Vd.c. 1A maximum	Zonal fire contacts - Per zone, operates on fire condition		
	Alarm contacts - Operates with alarm sounders		
	Fault contacts - Operates on any fault condition		
Approx. Weight	15kg	17kg	17.5kg
Relevant Standard	BS 5839 : Part 4 1988		
Cable Entry	Top and bottom		
Class Change Facility	Yes		

Note - If additional sounder circuits are required an extra power supply unit may be needed.

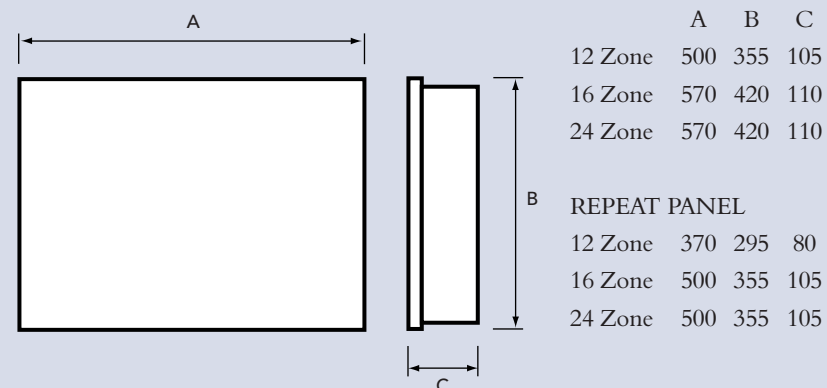
ORDER CODES (excludes batteries)

12 Zone	75575-12NM
16 Zone	75575-16NM
24 Zone	75575-24NM
7Ah 12V SLA Battery	4015-515
12Ah 12V SLA Battery	4015-514

REPEAT PANEL

12 Zone	75576-12NM
16 Zone	75576-16NM
24 Zone	75576-24NM
4 Way Extension Sounder Card	03277-04

Dimensions (mm)



DETECTORS

Smoke Detectors

Type	Optical	Ionisation	Beam	Duct
Nominal Voltage	24V d.c.	24V d.c.	24V d.c.	24V d.c.
Quiescent Current @ 28V	60 μ A	30 μ A	Receiver 8mA Transmitter 5mA	90 μ A
Ingress Protection	IP30	IP30	IP50	IP42
Approximate Weight	0.11 Kg	0.11 Kg	3.2 Kg	4.6 Kg
Environment	-20°C to +50°C	-20°C to +50°C	-20°C to +55°C	0°C to +50°C
Relevant Standards	EN54 Part 7	EN54 Part 7	BS 5839 Part 5	EN54 Part 7
Approvals	LPCB applied for	LPCB applied for	N/A	N/A
Duct Air Velocity	N/A	N/A	N/A	1 to 10m/s
Beam Length	N/A	N/A	10 - 100m	N/A
Mounting Height	N/A	N/A	2.7m - 25m	N/A
Contact Rating	N/A	N/A	N/A	1A 24V d.c. 0.5A 230V a.c.
Dimensions (mm)	104 \varnothing x 50	104 \varnothing x 50	Controller 210W x 260H x 145D	180W x 225H x 175D
Order Codes	17840-01	17830-01	07011-41	17615-01 17615-02 (c/w relay) 17615-03 (c/w mains relay)

Note - Xenex is also compatible with detectors from the Gent XEN, 7400 and 7600 ranges.

Heat Detectors

Type	Fixed Temperature	Rate of Rise
Nominal Voltage	24V d.c.	24V d.c.
Quiescent Current	20 μ A	20 μ A
Ingress Protection	IP30	IP30
Approx. Weight	0.07 Kg	0.07 Kg
Environment	-20°C to +50°C	
Relevant Standards	EN 54 Part 5	
Approvals	LPCB applied for	
Operating Temperature	58°C	58°C (factory set)
Sensitivity	Grade 1	Grade 1
Dimensions (mm)	104 \varnothing x 50	104 \varnothing x 50
Order Code	17850-01	17860-01

Accessories

Type	Order Code
*Low Profile Diode Base	17801-02
Low Profile Base Less Diode	17800-02
Detector Dust Cover	17890-02 (pack of 50)
*Diode Base (surface cabling)	17801-01
Base Less Diode (surface cabling)	17800-01
Detector Removal Tool	17918-11

*Note - To comply with the requirements of BS 5839: Part 1 with respect to detector removal diode bases are required. When using diode bases the maximum number per zone should not exceed 30.



17850-01 Heat Detector



17830-01 Ionisation Detector

SOUNDERS

Sounders *Note - Sounder outputs are variable dependent upon tone choice.*

	Shallow Base	Deep Base (IP65)	Bedhead Sounder	Sounder Base
Operation	Continuous	Continuous	Continuous	Continuous
Operating Voltage Range	9 - 28V DC	9 - 28V DC	9 - 28V DC	10 - 28V DC
Typical Sound Output @ 1m, 12V DC	93dBA	93dBA	94dBA	87dBA
Typical Sound Output @ 1m, 24V DC	100dBA	100dBA	97dBA	93dBA
Current Consumption	8mA @ 12V, 18mA @ 24V	8mA @ 12V, 18mA @ 24V	8mA @ 12V, 18mA @ 24V	8mA @ 12V, 18mA @ 24V
IP Rating	IP54	IP65	IP54	IP54
Approximate Weight	0.29kg	0.31kg	0.11kg	0.15kg
Dimensions (mm)	93 dia x 75 deep	93 dia x 105 deep	86 square x 42 deep	112 dia x 30 deep
Order Code	74451-24NM	74452-24NM	74455-24NM	74456-24NM



02702-01 Siren

Sirens *Note - require seperate power supply.*

Type	230V a.c.	230V a.c. Weatherproof
Sound Output at 1m	100dBA	120dBA
Current	0.085A	0.46A
Output Frequency	1000Hz	1800Hz
Approx. Weight	0.5 Kg	1.7 Kg
Environment	Indoor, -30°C to 80°C	Indoor/Outdoor, -30°C to +45°C
Ingress Protection	IP44	IP65
Relevant Standard	EN 54 Part 3	
Rating	Continuous	
Finish	High impact ABS (RAL 9002 grey)	Grey stove enamel
Dimensions (mm)	89Ø x 133	180Ø x 95
Order Codes	02702-01	02701-01

Bells

Type	24V d.c.	230V a.c.	24V d.c. Flame Proof	230V a.c. Flame Proof
Sound Output at 1m	96dBA	96dBA	98dBA ±3	106dBA ±3
Current at nominal voltage	30mA	30mA	0.08A	0.04A
Approx. Weight	1.1 Kg	1.25 Kg	11 Kg	11 Kg
Environment	Indoor, -10°C to 55°C		Zone 1 use with gas groups 11A & 11B, -20 to +55°C	
Ingress Protection	Standard IP40	Standard IP41	Equivalent to IP65	
	Special IP55	Special IP55		
Relevant Standard	EN 54 Part 3		BASEEFA BS 5501 Parts 1 & 5 EExd 11BT5 CENELEC EN 50014 & EN 50018	
Colour	Red		Grey	
Dimensions (mm)	155Ø x 85D		197W x 426H x 95D	
Order Codes	12141-04 12143-04 IP55	12142-09 12144-09 IP55	02125-31	02125-55

MANUAL CALL POINTS & ACCESSORIES

Standard LPC

Red, LPC approved IP54 with gasket.

Surface.	14112 - 08
Flush.	14112 - 18
Surface c/w hinged cover.	14112 - 48
Flush c/w hinged cover.	14112 - 58

Order Codes

Key Operated Call Point

Preventing unauthorised operation for use in areas with a high risk of tampering or vandalism.

Surface.	14115 - 08
Flush.	14115 - 18

Spares

Test Keys - For testing call points without breaking the glass.

Pack of 10 test keys.	14112 - 10
-----------------------	------------

Weather Resistant Kit - Allowing a call point to be used externally, providing weather resistance to IP54.

Weather resistant kit.	14112 - 19
------------------------	------------

Semi-flush Spacing Kit - For part recessing call points.

Semi-flush spacing kit.	14112 - 20
-------------------------	------------

Pack of 10 spare glasses.	14112-09
---------------------------	----------

Xenon Flashers

24V d.c., 45mA, IP65.

02300-03

230V a.c., (Requires mains supply) IP65.

02300-02

Door Release Units

24V d.c. door holder c/w door plate.

04390-31

230V a.c. door holder c/w door plate.

04390-55

Floor Plate.

04390-92

24V d.c. relay c/w enclosure.

19107-52

Power Supplies for additional standby power

1.25A, continuous rating 0.625A (less cells).

05211-24

4A, continuous rating 2A (less cells).

05214-24

6A, (less cells).

05216-24

Polarised Relay (required for switching all 230V equipment)

19107-52

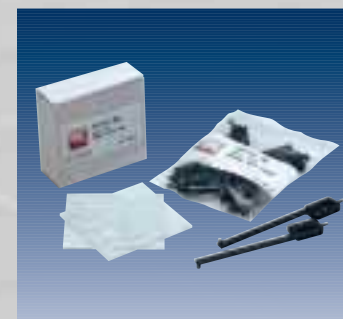
24V d.c. coil, polarised and suppressed, DP c/o contacts.



14112-08 Standard Call Point



14115-08 Key Operated



Spare test keys and glasses



GENT 24 Waterside Road, Hamilton Industrial Park, Leicester LE5 1TN.
Tel: 0800 013 8824 Fax: 0800 013 8825

Gent 24 products are available through a network of approved system integrators.

A Caradon Company

XEN/4M/6/00

Because of the continuous development of Gent 24 equipment, details of the products described in this publication are subject to change without notice.